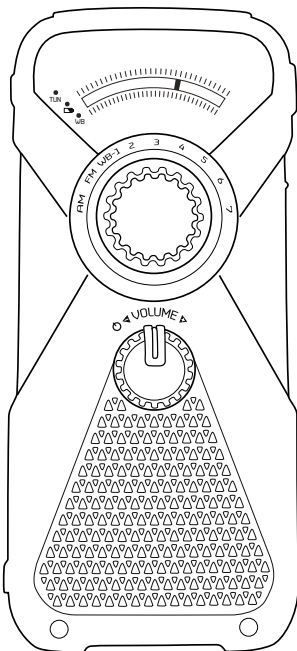


FRX1

Hand Turbine AM/FM/NOAA Weather Radio
with LED Flashlight



NEED HELP? CONTACT US.

Etón Corporation, 1015 Corporation Way, Palo Alto, CA 94303, USA. 1-800-872-2228 (U.S.); 1-800-637-1648 (Canada); 650-903-3866 (worldwide); M-F, 8:00-4:30, Pacific Standard Time; www.etoncorp.com.

WARNING

- Do not expose this appliance to rain or moisture.
- Do not submerge or expose for extended period to water.
- Protect from high humidity and rain.
- Only operate within specified temperature range (0 °C to 40 °C).
- Unplug immediately if liquid has been spilled or any object has fallen into the apparatus.
- Clean only with a dry cloth. Do not use detergents or chemical solvents as this might damage the finish.
- Unplug and disconnect external antennas during lightning storms.
- Do not remove cover [or back].
- Refer servicing to qualified service personnel.

ENVIRONMENT

Disposal

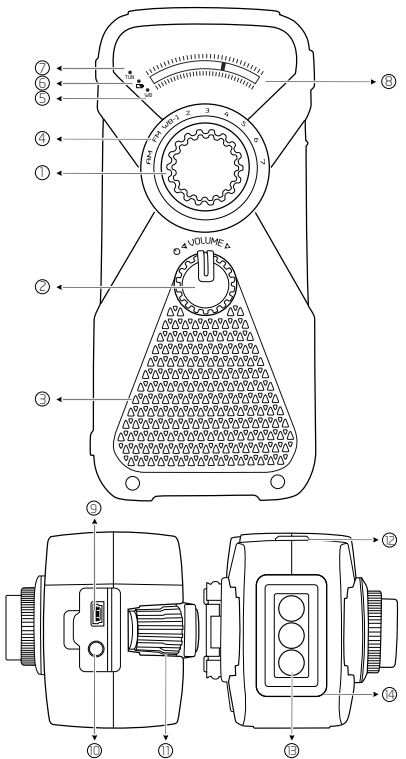
According to the European Directive 2002/96/EC all electrical and electronic products must be collected separately by a local collection system.

Please act according to your local rules and do not dispose of your old products with your normal household waste.

Please dispose of all types of batteries per your Government, State or Local rules and/or regulations. If you are unsure, please call the appropriate local authority to find out how to dispose of them safely and help protect the environment.



FUNCTION KEYS




- | | | |
|------------------------|----------------------------|------------------------|
| ① Tune Knob | ⑤ WB Indicator | ⑩ Headphone Jack |
| ② Power/Volume Knob | ⑥ Charging Indicator | ⑪ Hand Turbine |
| ③ Speaker | ⑦ Tuning Indicator | ⑫ Flashlight button |
| ④ FM/AM/WB Select Knob | ⑧ Frequency Window | ⑬ LED Flashlight |
| | ⑨ Mini USB Jack (DC-in 5v) | ⑭ Glow in Dark Locator |

POWER SOURCES

1. Rechargeable battery pack (included)
2. Direct AC
3. Built-in dynamo


CHARGING THE BATTERY PACK

Hand Turbine Charging

1. Pull out the hand turbine in the back of the unit, then turn. The built-in dynamo will generate electricity and the unit will store the electric energy into the battery pack automatically.
2. When charging, the charging indicator "" will be on.

NOTE: 5 minutes of cranking will result in about 10 minutes of low volume play and 2 hours of flashlight use.

Adaptor Charging

1. Open the rubber cover on the side of the unit. Plug one end of the matching adaptor cable (included) into the AC electronic socket, plug the other end of the adaptor cable into the < mini USB jack >, the electric energy will store into the battery pack automatically.
2. When charging, the charging indicator "" will be on. The battery will be full in about 3 hours.

USING THE LIGHT

Press the <Light> button (on the top of the unit) and the light will be on. Press the button again to turn off the light.

TURNING THE RADIO ON AND OFF

Turn it on with the OFF/VOLUME control.

To turn it off, set the OFF/VOLUME control to OFF.

ADJUSTING THE VOLUME

Set VOLUME control to the desired level.

TUNING IN STATIONS

1. Select your desired band, and then rotate the < Frequency Knob >. The tuning indicator will be on when the antenna receives a strong signal.

GLOW IN DARK LOCATOR

After absorbing light energy, the glow in the dark locator glows up to 8 hours allowing an easy locator.

EARPHONE JACK

Plug in earphones (not included). Sound is heard from both sides in monaural.

WARRANTY REGISTRATION

To ensure full warranty coverage or product updates, registration of your product should be completed as soon as possible after purchase or receipt. You may use one of the following options to register your product:

1. By visiting our website at <http://www.etoncorp.com>.
2. Mail in enclosed warranty card.
3. Mail your registration card or information to the following address; Include your name, full mailing address, phone number, model purchased, date purchased, retail vendor name and product serial number (typically located in or near the battery compartment):

Eton Corporation

1015 Corporation Way
Palo Alto, CA 94303

LIMITED WARRANTY

Retain the warranty information from your warranty card with your proof of purchase or the Limited Warranty information can also be viewed at www.etoncorp.com.

SERVICE FOR YOUR PRODUCT

To obtain service for your product, we recommend first contacting an Etón service representative at 800-872-2228 US, 800-637-1648 Canada or (650) 903-3866 for problem determination and trouble-shooting. If further service is required, the technical staff will instruct how to proceed based on whether the radio is still under warranty or needs non-warranty service.

WARRANTY

If your product is still in warranty and the Etón service representative determines that warranty service is needed, a return authorization will be issued and instructions for shipment to an authorized warranty repair facility. Do not ship your radio back without obtaining the return authorization number.

NON-WARRANTY

If your product is no longer under warranty and requires service our technical staff will refer you to the nearest repair facility that will be able to best handle the repair.

For service outside of North America, please refer to the distributor information included at time of purchase/receipt.



Etón Corporation

Corporate Headquarters
1015 Corporation Way
Palo Alto, California 94303 USA
tel +1 650-903-3866
tel +1 800-872-2228
fax +1 650-903-3867

Etón Canada

1 Yonge Street, Suite 1801
Toronto, Ontario M5E 1W7 Canada
tel +1 416-214-6885

www.etoncorp.com